

nood co.[™]
CONCRETE FURNITURE



Cylinder.

20 — 21 BASIN RANGE

*7 sink designs, 14 colours, 4 layouts.
Endless possibilities.*

TABLE OF CONTENTS



CYLINDER BASINS**PAGE NO.**

Prism Basin, Circle	10
Stepp Basin, Circle	12
Bowl Basin	14
Funl Basin	16
Tubb Basin	18
Hoop Basin	20
Bowl Basin, Two Tone	22
Two Tone Options	23

ADDITIONAL INFO**PAGE NO.**

Assembly (Cylinder Only)	25
Assembly (with top tray)	27
Concrete, a true picture	29
Maintenance	30
Packaging and Transport	31
Nood Co Concrete Composition	31
Meet The Team	32

PICTURED: STEPP CIRCLE TWO TONE | CYLINDER, TWO TRAY





PICTURED:
FUNL BASIN IN SAND
IVORY TRAY
SAND CYLINDER

the future of bathroom design

A shift toward high end bathroom design sees the introduction of the elegant freestanding Cylinder range by Nood Co Concrete.

Comprised of Nood's ultra fine, UHP concrete, the Cylinder range boasts a stunning 400mm diameter concrete cylinder, topped with a choice of 7 circular basin profiles, 14 concrete colours, and a tray option.

This versatile, hand made piece lifts the mood in any commercial or residential space. Simple install and plumbing access is outmatched only by the quality of design and manufacture.

A new consciousness in concrete is here.

7 sinks

14 colours

poss

rs

endless
possibilities.



IVORY



SAND



CUSTARD



PASTEL PEACH



BLUSH PINK



MUSK



CLAY



POWDER BLUE



COPAN BLUE



MINT



TEAL



SKY GREY



MID TONE GREY



CHARCOAL

Prism Basin, Circle



Details

A favourite at Nood Co, the alluring Prism Basin is a concrete sink featuring an elegant chamfered edge with a breathtaking high strength finish.

WASTE REQUIRED

Standard 32mm (1¼in)

WALL THICKNESS

10mm (0.39in)

SEALER

Nood Co Deep Seal System

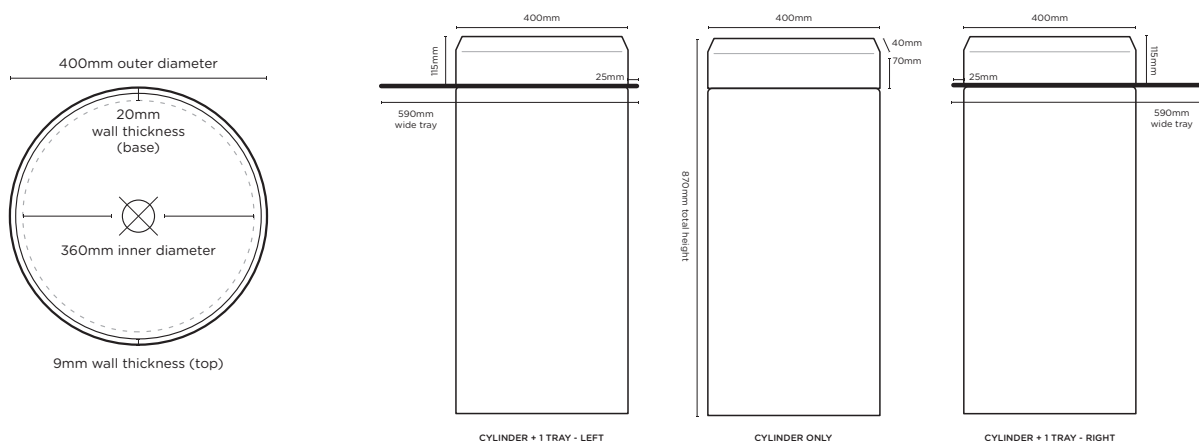
DIMENSIONS

BASIN	D400mm x H115mm (D15.7in x H4.5in)*
CYLINDER	D400mm x H870mm (D15.7in x H34.2in)*
EDGE	Chamfer L40mm (1.5in)* Side Wall L70mm (2.7in)*

WEIGHT

BASIN	10kg* (22lb)	TRAY	3.5kg (8.7lb)*
CYLINDER	22.5kg (49.6lb)*		

* Measurements and weights are approximate.
Waste not provided by Nood Co. Colours may vary.
Warranty / Packaging / Maintenance / Assembly Instructions can be found at rear of catalogue.





IVORY



SAND



CUSTARD



PASTEL PEACH



BLUSH PINK



MUSK



CLAY



POWDER BLUE



COPAN BLUE



MINT



TEAL



SKY GREY

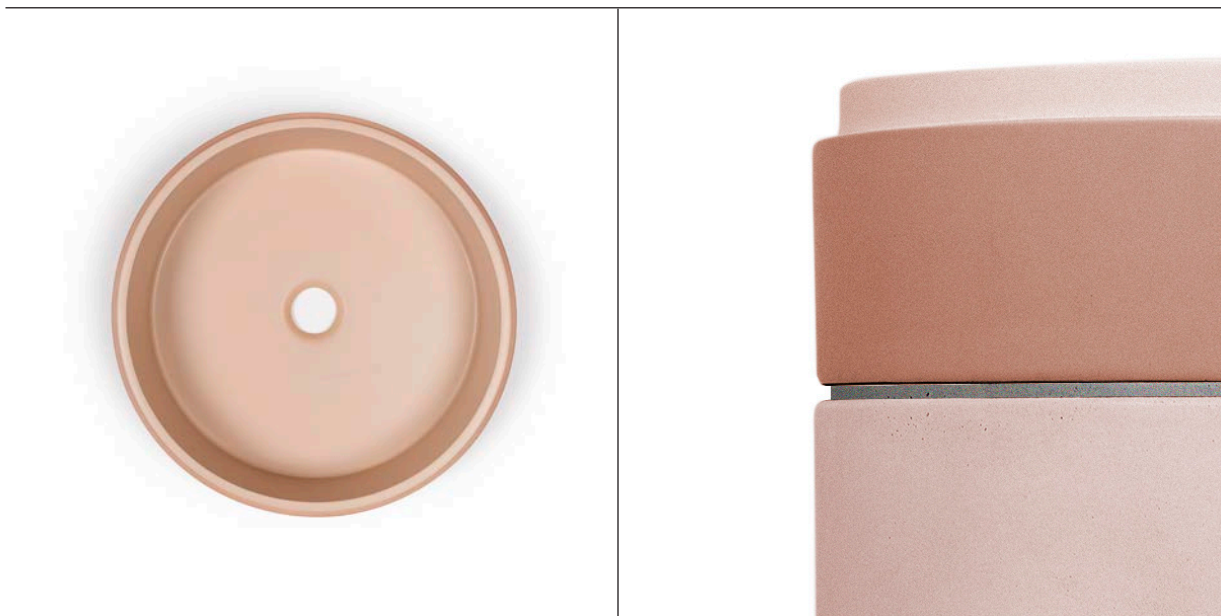


MID TONE GREY



CHARCOAL

Stepp Basin, Circle



Details

The Stepp Basin in Circle is a designer's dream. A tow-toned palette and elegant curves create a high-end, contemporary masterpiece with this concrete sink.

WASTE REQUIRED

Standard 32mm (1¼in)

WALL THICKNESS

TOP 10mm (0.39in) BASE 20mm (0.78in)

SEALER

Nood Co Deep Seal System

DIMENSIONS

BASIN D400mm x H115mm (D15.7in x H4.5in)*

CYLINDER D400mm x H870mm (D15.7in x H34.2in)*

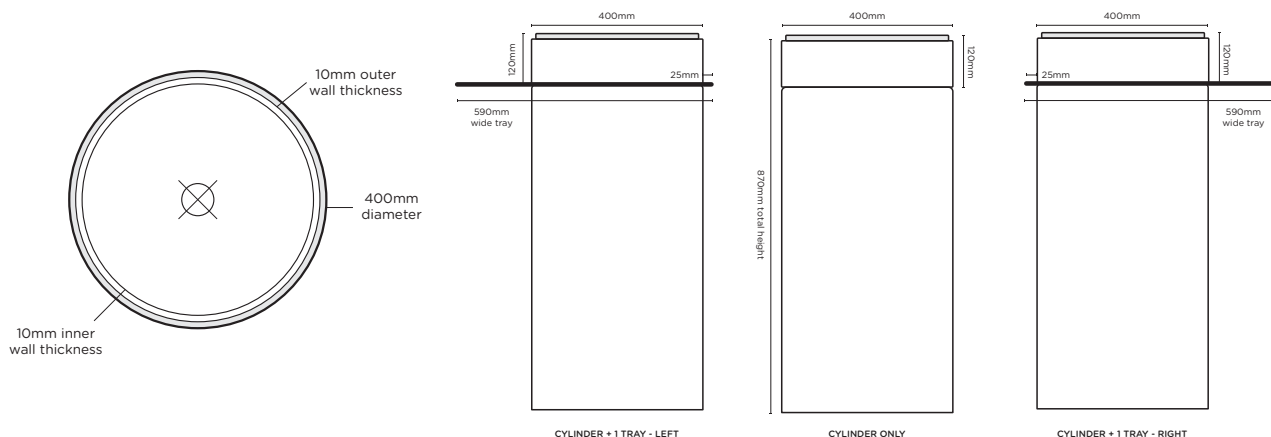
WEIGHT

BASIN 10kg* (22lb)

CYLINDER 22.5kg (49.6lb)*

TRAY 3.5kg (8.7lb)*

* Measurements and weights are approximate.
Waste not provided by Nood Co. Colours may vary.
Warranty / Packaging / Maintenance / Assembly Instructions can be found at rear of catalogue.





IVORY



SAND



CUSTARD



PASTEL PEACH



BLUSH PINK



MUSK



CLAY



POWDER BLUE



COPAN BLUE



MINT



TEAL



SKY GREY



MID TONE GREY



CHARCOAL



Details

The Bowl Basin is feminine and refined. Dainty curves and soft pastels fuse together as this modest sink heroes your bathroom.

WASTE REQUIRED

Suits standard 32mm (1¼in)

WALL THICKNESS

20mm (0.78in)

SEALER

Nood Co Deep Seal System

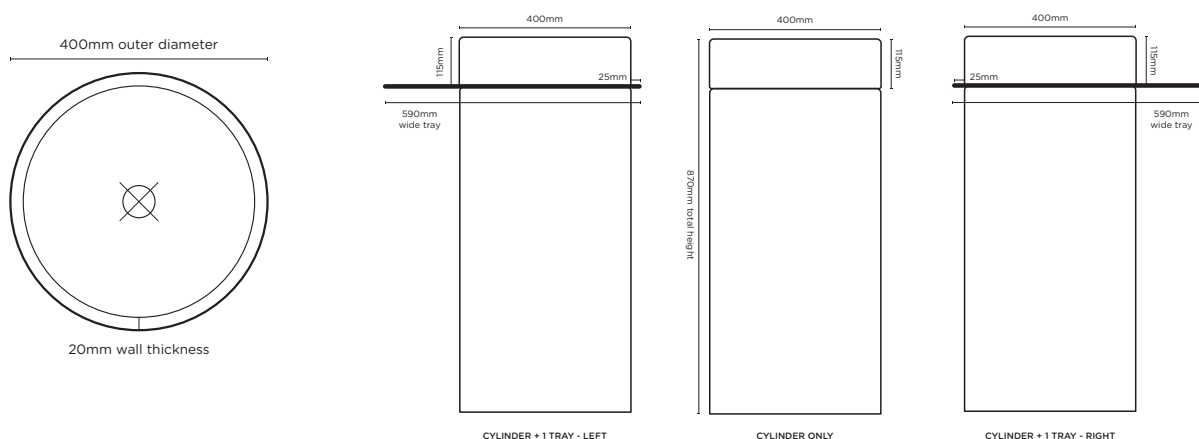
DIMENSIONS

BASIN	D400mm x H115mm (D15.7in x H4.5in)*
CYLINDER	D400mm x H870mm (D15.7in x H34.2in)*

WEIGHT

BASIN	10kg* (22lb)
CYLINDER	22.5kg (49.6lb)*
TRAY	3.5kg (8.7lb)*

* Measurements and weights are approximate.
Waste not provided by Nood Co. Colours may vary.
Warranty / Packaging / Maintenance / Assembly Instructions can be found at rear of catalogue.





IVORY



SAND



CUSTARD



PASTEL PEACH



BLUSH PINK



MUSK



CLAY



POWDER BLUE



COPAN BLUE



MINT



TEAL



SKY GREY



MID TONE GREY



CHARCOAL



Details

The Funl concrete basin has gorgeous angled walls that funnel down to a squared base to create an elegant bathroom masterpiece.

WASTE REQUIRED

Suits standard 32mm (1¼in)

WALL THICKNESS

10mm (0.39in)

SEALER

Nood Co Deep Seal System

DIMENSIONS

BASIN Base D400mm, Top D355mm, H115mm
(Base D15.7in, Top D13.9in, H4.5in)*

CYLINDER D400mm x H870mm (D15.7in x H34.2in)*

WEIGHT

BASIN 10kg* (22lb)

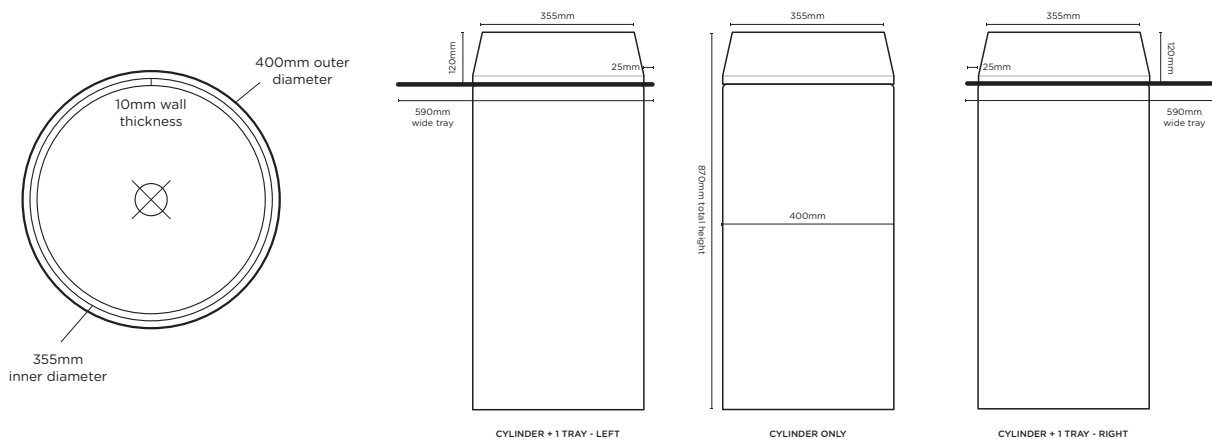
CYLINDER 22.5kg (49.6lb)*

TRAY 3.5kg (8.7lb)*

* Measurements and weights are approximate.

Waste not provided by Nood Co. Colours may vary.

Warranty / Packaging / Maintenance / Assembly Instructions can be found at rear of catalogue.





IVORY



SAND



CUSTARD



PASTEL PEACH



BLUSH PINK



MUSK



CLAY



POWDER BLUE



COPAN BLUE



MINT



TEAL



SKY GREY



MID TONE GREY



CHARCOAL



Details

Cute and podgy, the curvy Tubb Basin features a bathtub style rim and the modernistic charm of the 1950s. A design for the true creatives.

WASTE REQUIRED

Suits standard 32mm (1¼in)

WALL THICKNESS

25mm (0.98in)

SEALER

Nood Co Deep Seal System

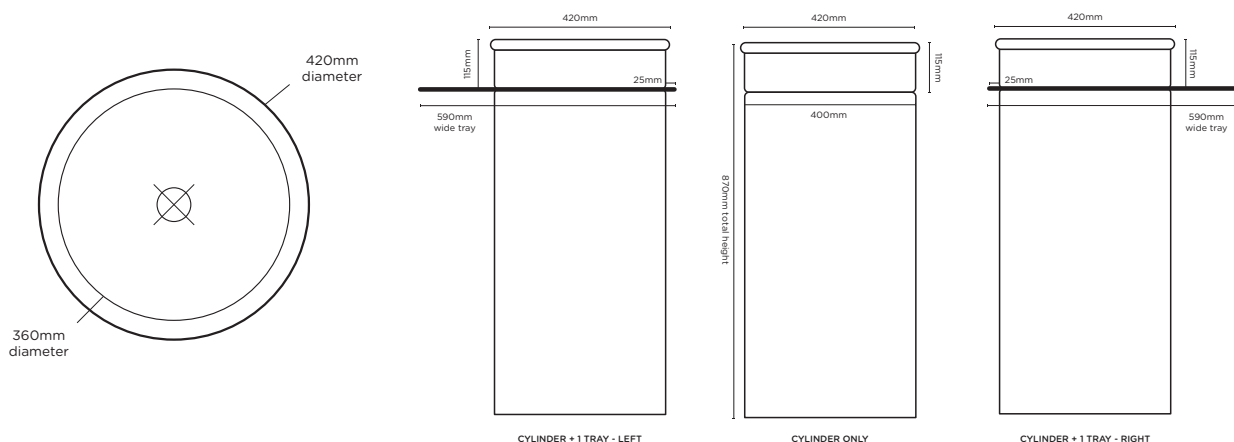
DIMENSIONS

BASIN	Internal D360mm (D14.1in)*
	External D420mm (D16.5in)*
	H115mm (H4.5in)*
CYLINDER	D400mm x H870mm (D15.7in x H34.2in)*

WEIGHT

BASIN	10kg* (22lb)	TRAY	3.5kg (8.7lb)*
CYLINDER	22.5kg (49.6lb)*		

* Measurements and weights are approximate.
Waste not provided by Nood Co. Colours may vary.
Warranty / Packaging / Maintenance / Assembly Instructions can be found at rear of catalogue.





IVORY



SAND



CUSTARD



PASTEL PEACH



BLUSH PINK



MUSK



CLAY



POWDER BLUE



COPAN BLUE



MINT



TEAL



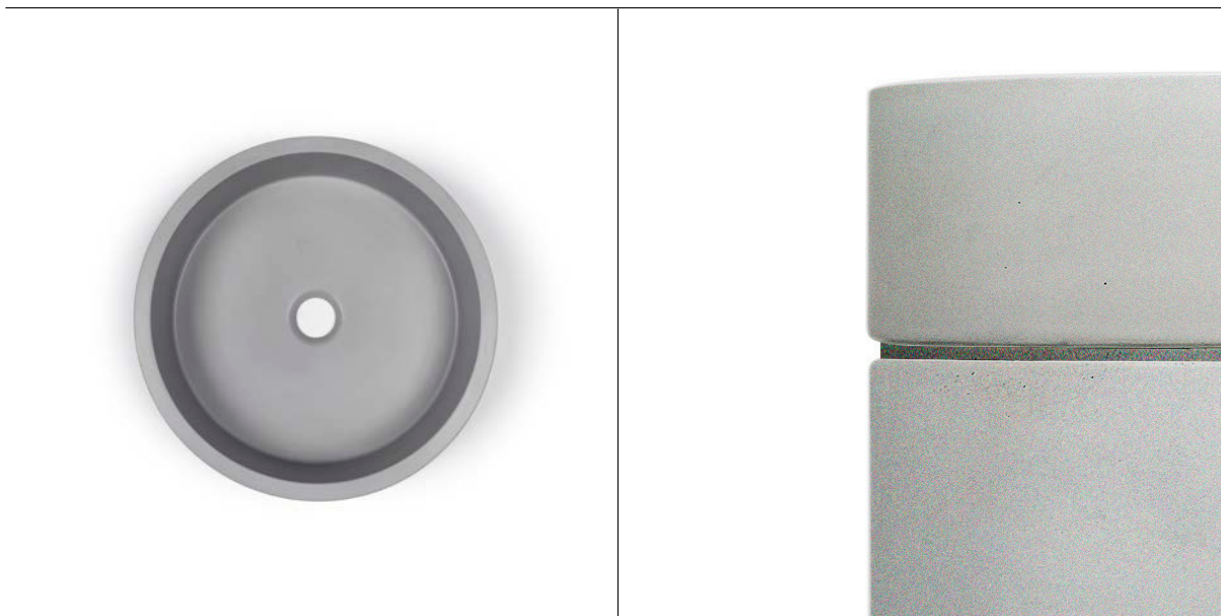
SKY GREY



MID TONE GREY



CHARCOAL



Details

With its sleek walls and clean-cut edges, the concrete Hoop Basin by Nood Co adds a refined touch to the bathroom.

WASTE REQUIRED

Suits standard 32mm (1¼in)

WALL THICKNESS

20mm (0.78in)

SEALER

Nood Co Deep Seal System

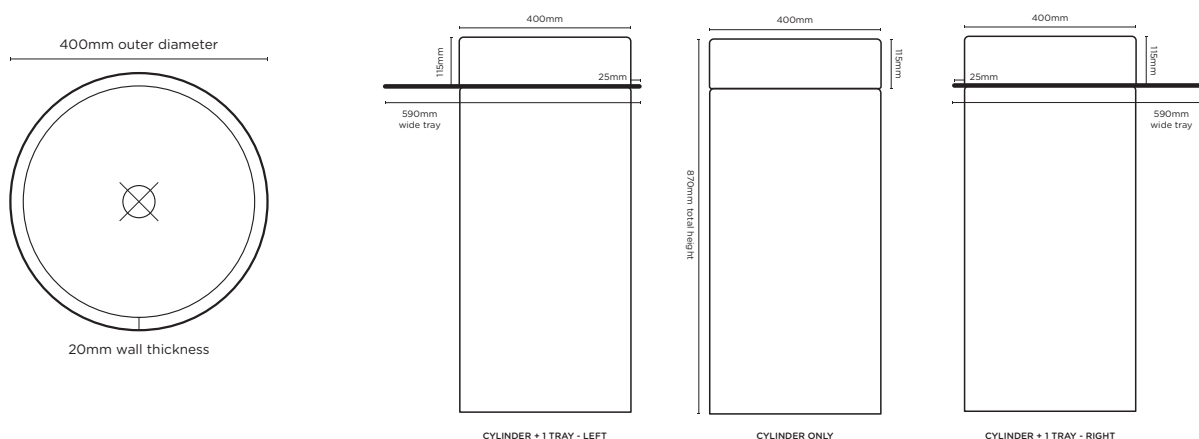
DIMENSIONS

BASIN	D355mm x H115mm (D15.7in x H4.5in)*
CYLINDER	D400mm x H870mm (D15.7in x H34.2in)*

WEIGHT

BASIN	10kg* (22lb)
CYLINDER	22.5kg (49.6lb)*
TRAY	3.5kg (8.7lb)*

* Measurements and weights are approximate.
Waste not provided by Nood Co. Colours may vary.
Warranty / Packaging / Maintenance / Assembly Instructions can be found at rear of catalogue.





IVORY



SAND



CUSTARD



PASTEL PEACH



BLUSH PINK



MUSK



CLAY



POWDER BLUE



COPAN BLUE



MINT



TEAL



SKY GREY



MID TONE GREY



CHARCOAL

Bowl Basin, Two Tone



Details

The Bowl Basin is back with a stunning new outfit. Two tones add a dynamic to your bathroom space like never before seen.

WASTE REQUIRED

Suits standard 32mm (1¼in)

WALL THICKNESS

20mm (0.78in)

SEALER

Nood Co Deep Seal System

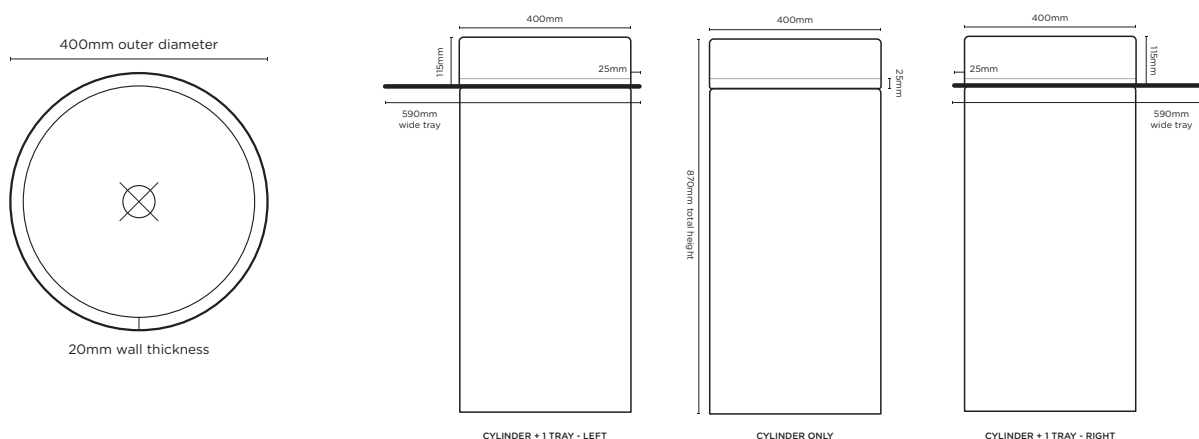
DIMENSIONS

BASIN	D355mm x H115mm (D15.7in x H4.5in)*
CYLINDER	D400mm x H870mm (D15.7in x H34.2in)*
TWO TONE	30mm from bottom edge

WEIGHT

BASIN	10kg* (22lb)	TRAY	3.5kg (8.7lb)*
CYLINDER	22.5kg (49.6lb)*		

* Measurements and weights are approximate.
Waste not provided by Nood Co. Colours may vary.
Warranty / Packaging / Maintenance / Assembly Instructions can be found at rear of catalogue.



Two Tone Options

CYLINDER

 <p>IVORY / SKY GREY / IVORY</p>	 <p>IVORY / CUSTARD / IVORY</p>	 <p>MID TONE GREY / CHARCOAL / MID TONE GREY</p>	 <p>SKY GREY / MID TONE GREY / SKY GREY</p>	 <p>SAND / IVORY / SAND</p>
 <p>BLUSH PINK / CLAY / BLUSH PINK</p>	 <p>MINT / TEAL / MINT</p>	 <p>POWDER BLUE / COPAN BLUE / POWDER BLUE</p>	 <p>COPAN BLUE / POWDER BLUE / COPAN BLUE</p>	 <p>MUSK / BLUSH PINK / MUSK</p>
 <p>CUSTARD / IVORY / CUSTARD</p>	 <p>PASTEL PEACH / MUSK / PASTEL PEACH</p>	 <p>TEAL / MINT / TEAL</p>	 <p>CHARCOAL / MID TONE GREY / CHARCOAL</p>	 <p>IVORY / PASTEL PEACH / IVORY</p>

all 14 colours available
in two tone and three tone
colour palettes

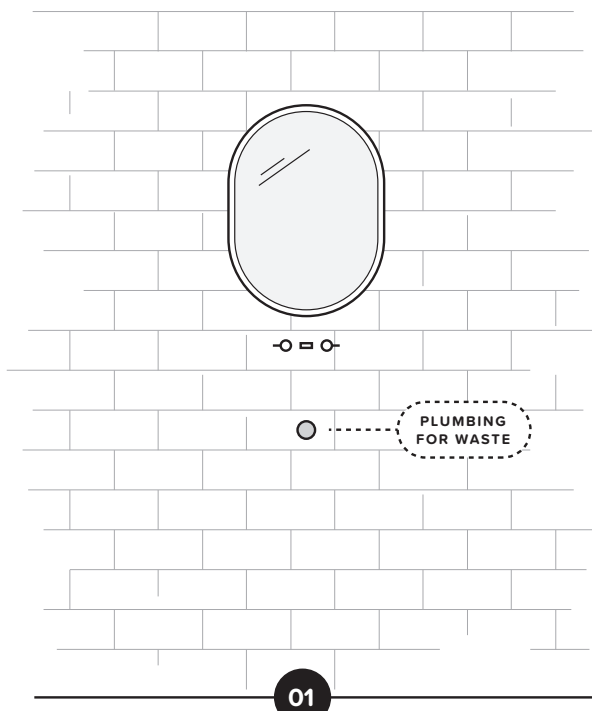
Three Tone Options

 <p>CHARCOAL / MID TONE GREY / SKY GREY</p>	 <p>MID TONE GREY / SKY GREY / IVORY</p>	 <p>SAND / CUSTARD / IVORY</p>	 <p>TEAL / IVORY / MINT</p>	 <p>COPAN BLUE / POWDER BLUE / IVORY</p>
 <p>POWDER BLUE / COPAN BLUE / IVORY</p>	 <p>CLAY / MUSK / BLUSH PINK</p>	 <p>MUSK / BLUSH PINK / IVORY</p>	 <p>BLUSH PINK / MUSK / CLAY</p>	 <p>CUSTARD / IVORY / SAND</p>
 <p>COPAN BLUE / IVORY / POWDER BLUE</p>	 <p>PASTEL PEACH / IVORY / BLUSH PINK</p>	 <p>MINT / SKY GREY / IVORY</p>	 <p>SKY GREY / MID TONE GREY / CHARCOAL</p>	 <p>BLUSH PINK / SKY GREY / IVORY</p>

have a specific colour
combination in mind?
email info@noodco.com.au

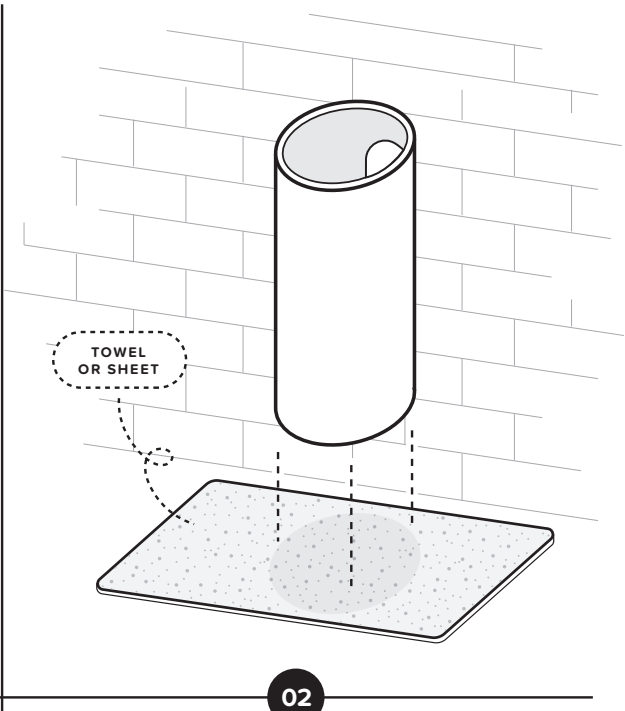
Assembly (Cylinder Only)

CYLINDER



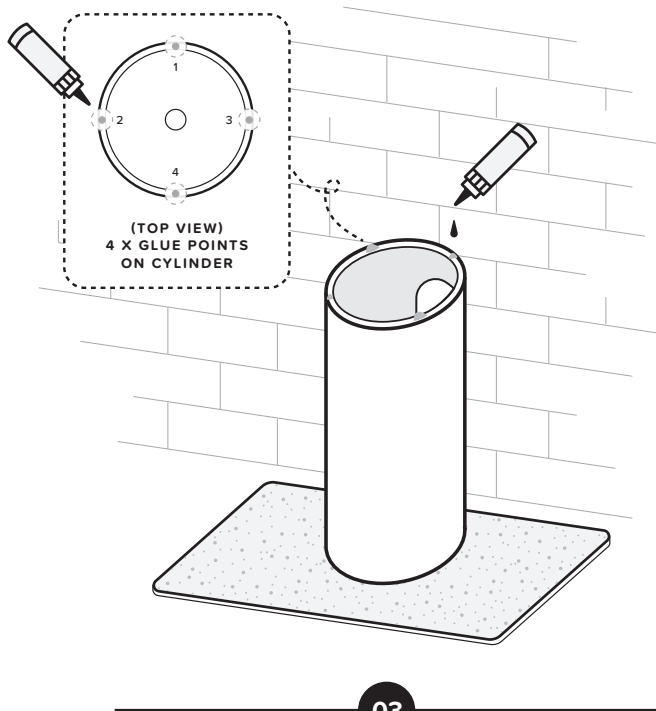
01

Ensure plumbing for waste is in place.



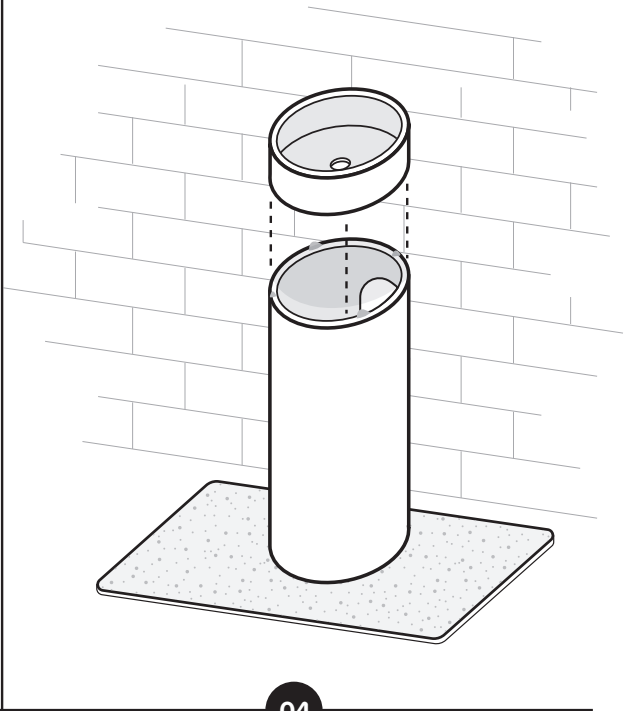
02

Place cylinder (without sink) onto soft surface, eg. towel or sheet



03

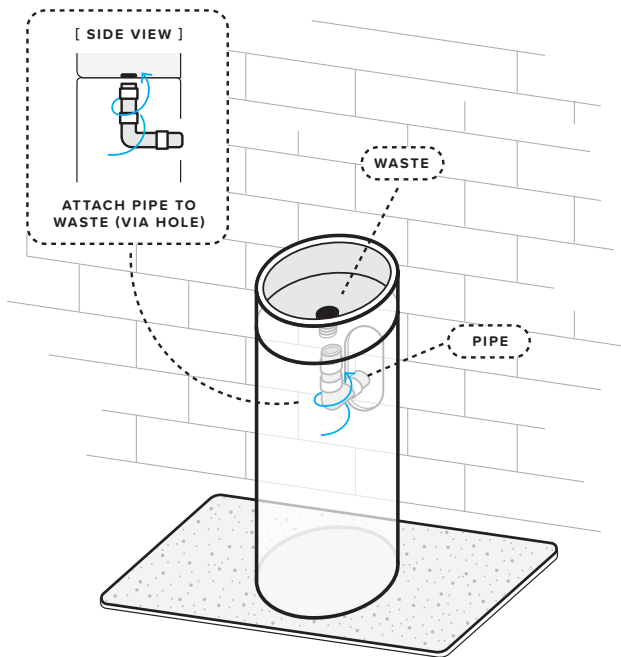
Glue in four points on top rim of cylinder.



04

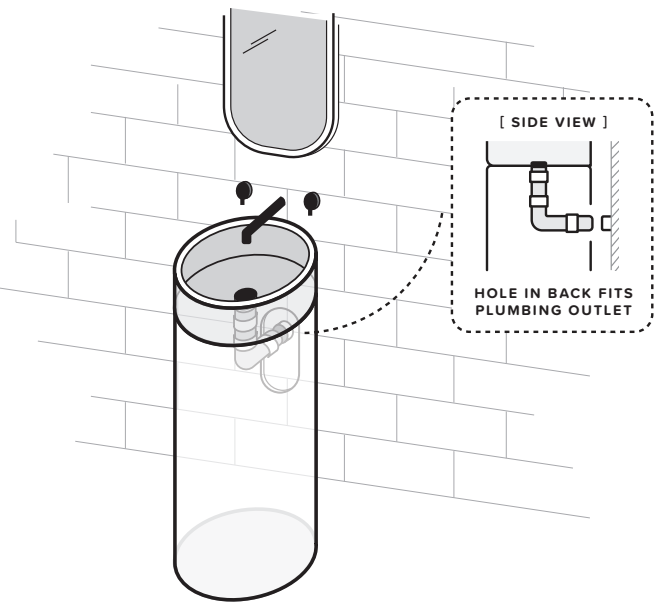
Place sink carefully onto slot of cylinder. Allow to dry for 4 hours.

Assembly (Cylinder Only cont.)



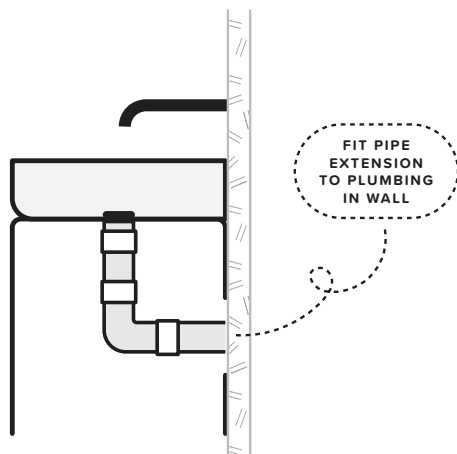
05

Connect waste to pipe beneath, then remove towel or sheet.



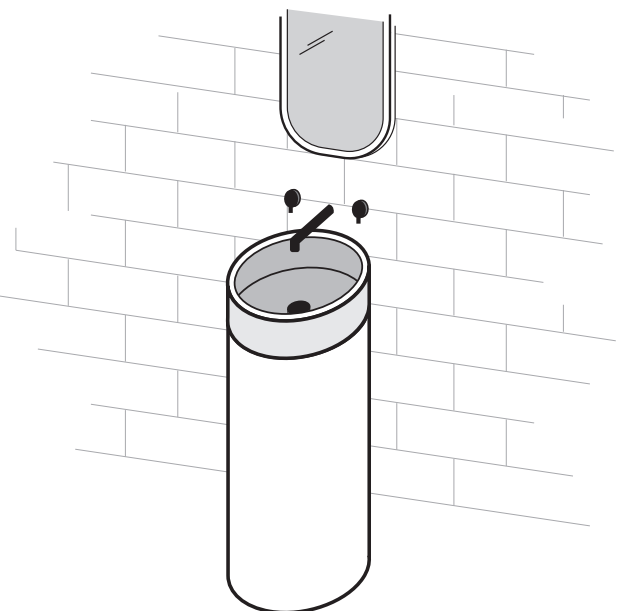
06

Two people to lift cylinder, place gently in position so hole fits plumbing outlet.



07

Ensure pipe extension is fitted, then fit waste.

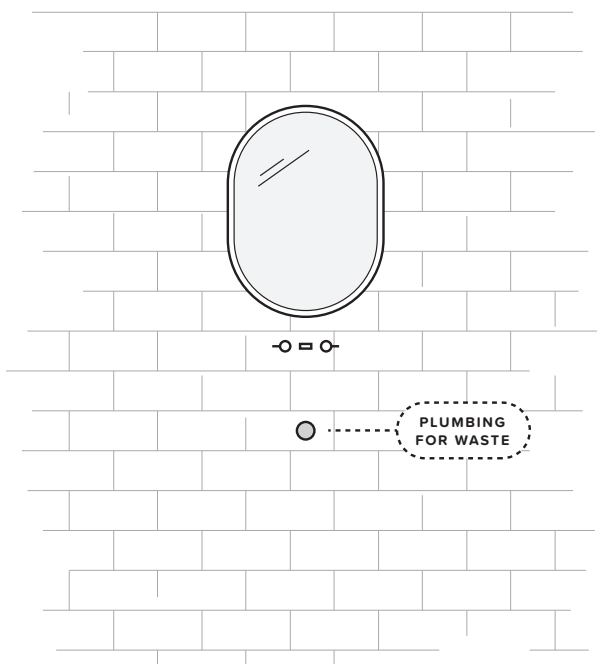


08

Enjoy your new sink.

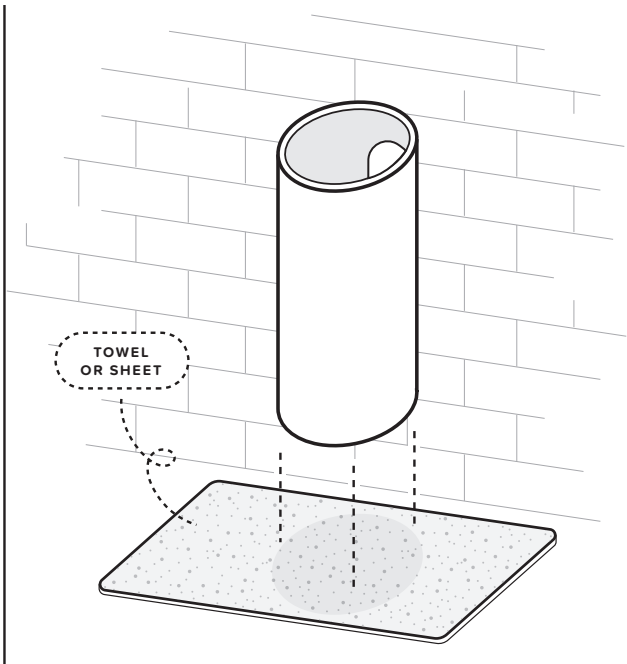
Assembly (with top tray)

CYLINDER



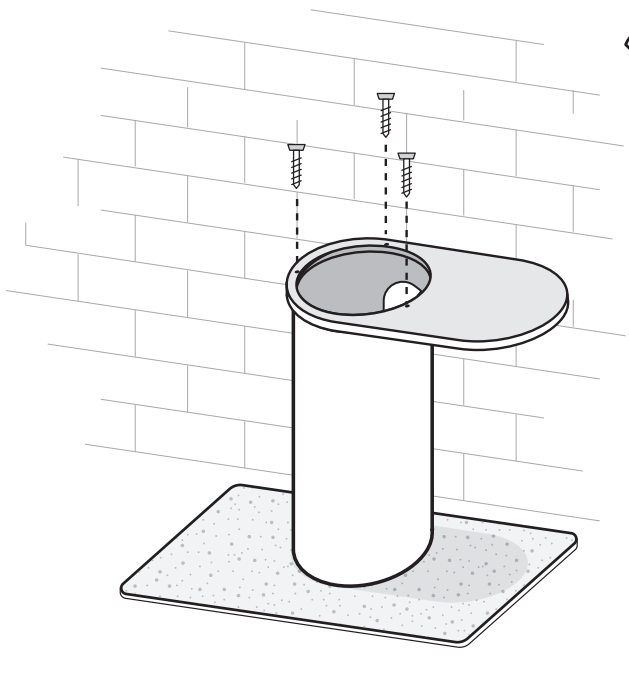
01

Ensure plumbing for waste is in place.



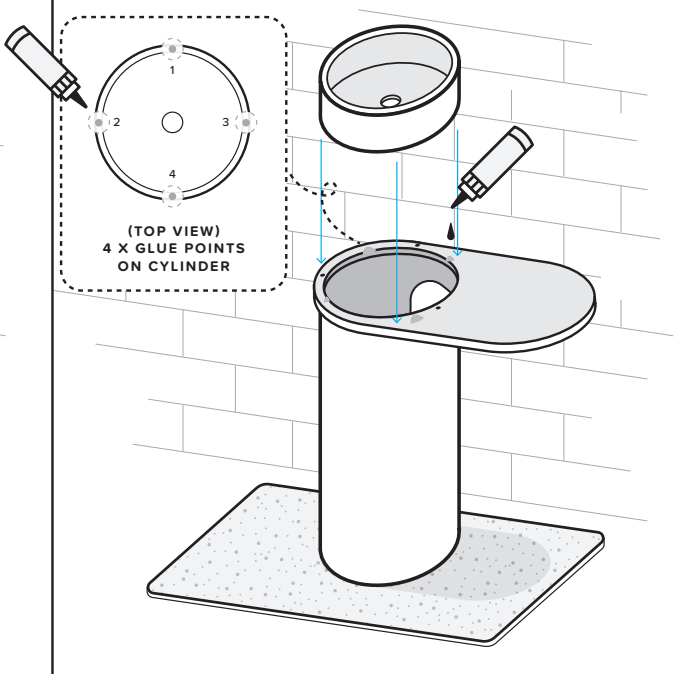
02

Place cylinder (without sink) onto soft surface, eg. towel or sheet



03

Place tray on top of cylinder. Fix tray to cylinder with screws.

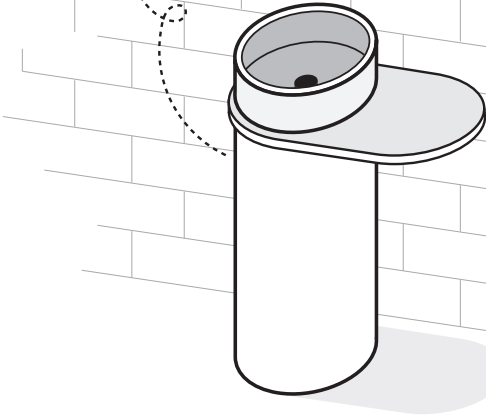


04

Apply glue in 4 points as shown above. Place sink carefully onto ring of tray. Allow to dry for minimum of 4 hours.

Assembly (with top tray cont.)

2 X PEOPLE
REQUIRED TO LIFT

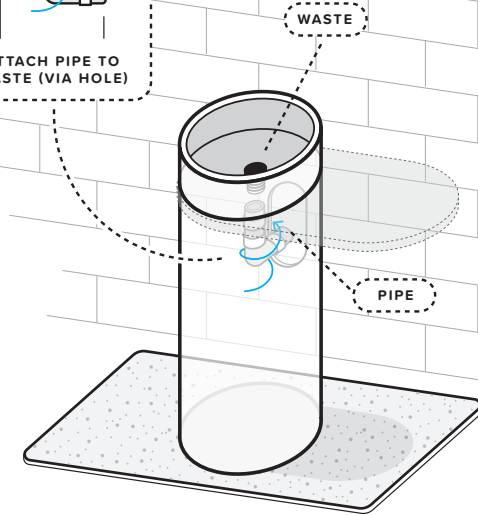


05

Two people to lift cylinder, place gently in position so hole fits plumbing outlet.

[SIDE VIEW]

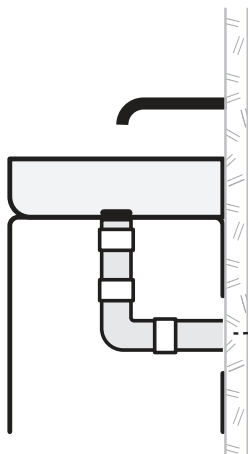
ATTACH PIPE TO
WASTE (VIA HOLE)



06

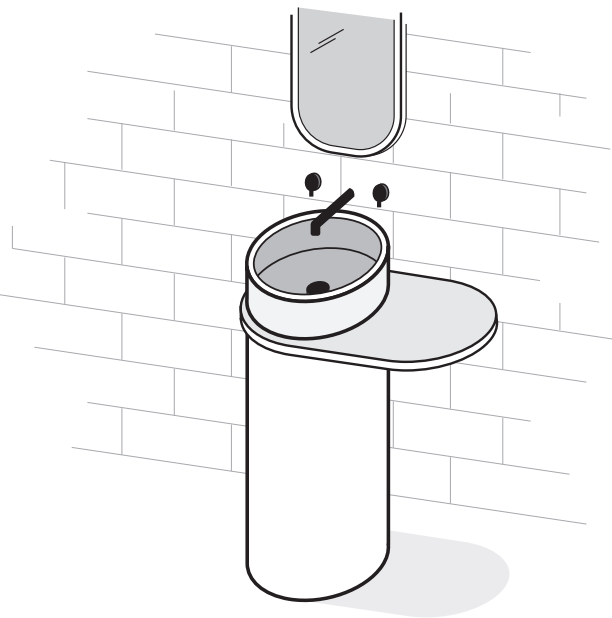
Remove sheet. Connect waste to pipe beneath via hole in back of cylinder.

FIT PIPE
EXTENSION
TO PLUMBING
IN WALL



07

Ensure pipe extension is fitted to plumbing in wall.



08

Enjoy your new sink.

Colour Range



Concrete, a true picture

Nood Co concrete basins are handmade with the finest concrete and have a high level of water tolerance and stain resistance. Here is a little more about what to expect from your concrete experience.

Concrete is a natural material and hence is subject to natural and human weathering. In response to this Nood Co have added special ingredients into its mix, and deep setting sealer to greatly improve how your basin performs, giving you a long-lasting experience.

For best long term results we suggest you to:

- Use the wax provided. Generally you'll notice when the wax has worn away and then is a good time to reapply. Instructions on how to apply the wax are provided with each basin.
- Clean with a soft, microfibre cloth and soapy water. See maintenance for more.
- Clean as you spill. Stains are easily avoided by simply washing and wiping your spills as you go. For more please information see the maintenance section.
- Avoid leaving your basin plugged and filled with water for long periods of time.
- Closely follow the install instructions provided with each Nood package.



Concrete is a beautiful addition to your space, and well worth the small effort required to keep your space looking gorgeous.

For more please contact our friendly team at info@noodco.com.au.

Looking after your Nood basin is super simple, but everyone says that.

SO, WHAT CAN I REALISTICALLY EXPECT FROM MY NOOD BASIN EXPERIENCE?

Our concrete is sealed with a very effective, deep penetrating sealing system to allow a real-world function. With that said, Nood isn't ceramic. It's beautiful concrete and so we have some helpful tips to keep your basin even more beautiful for years to come.

CLEANING

Nood present the most advanced concrete composition on the market, we still encourage you to clean your spills as you go. Simply wash your spills away with soapy water and a soft, microfibre cloth. Please avoid scourers and strong cleaning chemicals.

Please immediately clean strong staining products such as coffee scrubs, acid-based products. Leaving these stains for over 6 hours although unlikely, may mark or etch the concrete.

For more information please check out our maintenance video at noodco.com.au.

SCRATCHING / CHIPS

Hey, it happens from time to time.

As your basin ages, it's likely that some minor scratching may have taken place. While this aligns with the natural beauty of concrete it may not always align with the client perception. Nood have colour repair kits ready to send out. They are simple to apply and will allow you to touch up any small imperfections on your basin.

For more information about repairs please email us at info@noodco.com.au.

WATER DROPS IN YOUR BASIN

Water drops are free to dry out in your basin. We've tested it, we've adjusted our concrete to it, and we've made sure this won't be an issue for you. 95% of water drops will dry into your concrete seamlessly. The other 5% will leave a white ring on your basin. In this rare case, simply wipe down with clean water and a microfibre cloth. Nice and easy.

WHAT'S THIS WAXING BUSINESS? SOUNDS LIKE WORK.

Not at all. Each Nood piece is carefully sealed and pre-waxed prior to delivery.

The basins are then packaged and sent out with spare maintenance wax and instructions so you can self-apply as necessary. The wax assists with abrasion and stain resistance. Simply apply more as you see it wear off. It's simple.

To view the wax application video please visit us at noodco.com.au.

HOW OFTEN DO I WAX?

Nood have tested it. The average frequency in which you'd need to reapply your wax, given you use your basin for 5 minutes and twice a day, is once every 3 months.

Nood have spare wax for when you require more, and we send out instructions on how to apply the wax with each basin. They are also available on our website.

To view the wax application video please visit us at noodco.com.au.

Packaging and Transport

Nood take the most care when it comes to packaging and transport. Each package is carefully wrapped in different grades of foam and boxed firmly with thick cardboard. Each package has flex points to allow for safe international and domestic travel.

Nood offer tracking with each package and a close access of communication. After all, this is your experience that we are excited to be a part of.

Nood Co Concrete Composition

Real beauty is on the inside.

The Nood concrete composition is a complex one. We won't bore you with too many details, but the Nood concrete is made of 8 highly refined components. Each component assists in a specific way, be it improving the concrete strength, the water ratio, mix integrity, water tolerance, colouring, durability and more.

We feel Colonel Sanders pain.

Everything from Nood Co has been a ground up build. From product design to concrete composition, sealing to packaging, every step of the process was dreamt up, tested and approved by Nood Co.

When you buy Nood Co you are purchasing something unique. You are buying the process, the love we willingly commit, so you can experience something with soul.

Aw...



Meet The Team



Matt

PRODUCT DESIGNER & PROCUREMENT

Matt is Nood's lead product designer, responsible for determining the mood, colour and general vibration for the Nood aesthetic. His design / moral compass is aimed toward originality and genuine connection with the consumer.



Chris

PRODUCT DEVELOPMENT & HEAD OF MANUFACTURE

Chris is head of product development and manufacture. With an unrivalled understanding of chemical composition and material usage in chemical analysis, mechanical, concrete application, welding, manufacture and assembly, Chris makes it look easy, and it's seriously not.



Joelle

FRONT END MANAGER

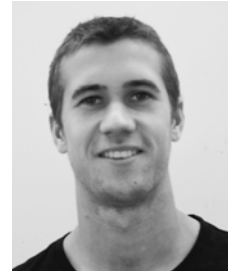
Joelle is Nood Co's front end manager. Her extensive skill set includes product, graphic and web design, coding and copywriting...the list goes on. Joelle's knowledge of high-end furniture is unrivalled, and she leads a team readied to assist with your order.



Matt

MANUFACTURER

Matt co-runs the manufacture floor for Nood Co. Responsible for looking after the finesse of each handmade product, Matt drives our team of makers to ensure each piece of concrete is made with exact, precise love.



Connor

MANUFACTURER

Connor co-runs the manufacture floor at Nood Co HQ. An ever growing platform, Connor ensures the staff training is under constant monitor. With a trained eye for refinement and detail, you can thank Connor for Nood's exponential growth and consistent quality.



Meghan

STYLING & PHOTOGRAPHY

Meghan is a highly regarded product stylist and photographer. She is responsible for the Nood Co product styling and shoots. Her storytelling within each shot is breath taking, so if you like what you see, you can thank Meghan.



Claire

GRAPHIC DESIGN & BRAND DEVELOPMENT

Claire is an award winning graphic artist with a monster catalogue of original art, brand development and insane logo treatments. Her brand development is slick, super on trend and always completely original. A good portion of Nood's energy is Claire.



Renoy

ACCOUNTS

Renoy is the financial and strategic backbone of Nood Co. He directs the Nood management team with a sound understanding of cashflow and company scaling.



Cory

3D MODELLING & CADS

With a Masters qualified in Architecture, Cory aids the Nood design team in shaping up their visions into workable 3D models. Cory has a strong gauge for proportion, aesthetic and structural engineering.



Marc

PHOTOGRAPHY

Marc is a seasoned portrait and product shoot photographer. An important part of our brand is aptly presenting the ideals and culture that our products suggest. Nood doesn't get anymore Marc, and Marc doesn't get anymore Nood.

NOOD CO
CONCRETE FURNITURE

E info@noodco.com

P + 61 401 487 654

FB / noodco

IG @nood_co

ABN 31 166 430 173

ACN 166 430 173

REG 2013

NOODCO.FR
NOODCO.COM.AU

*Concrete designed and
manufactured in Australia.*